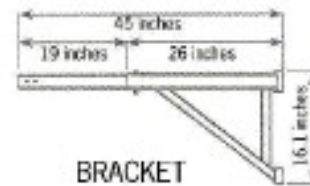
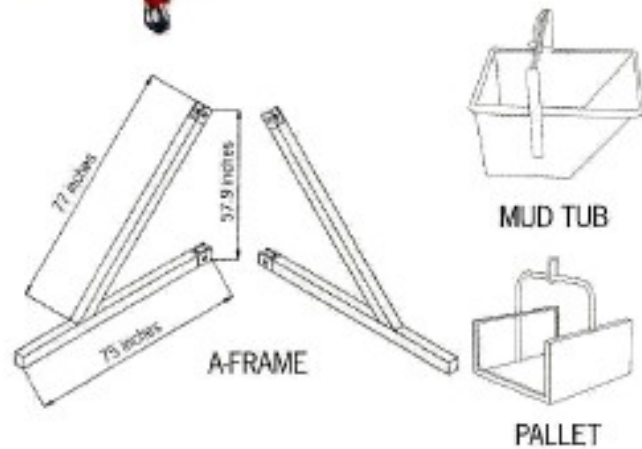
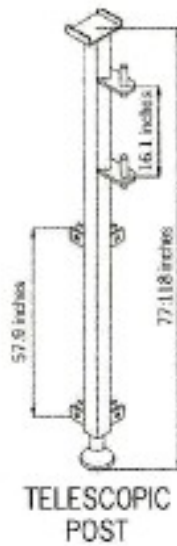
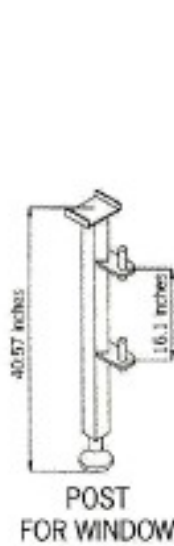


CAMAC

PF-440

CABLE HOIST



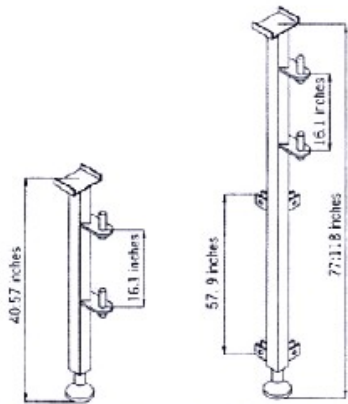
Technical Specifications

Lifting capacity	450 lbs.
Lifting Speed	66 ft/min.
Cable Length	100 ft.
Cable Diameter	0.2 in.
Cable breaking strength	4350 lbs.
Motor power	1 hp
Voltage	110/220 VAC
Outreach	28-43 in.
Turning angle	200 degrees
Weight	84 lbs
Hoist dimensions	14.4" W 14.8" L 14" H

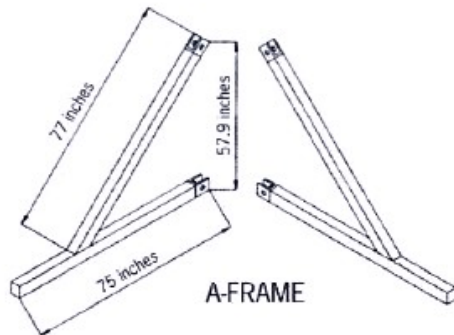


Distributed By:
American Platform and Scaffolding Inc.
 823 Fairview Avenue
 Linthicum, Maryland 21080
 1-800-636-8620

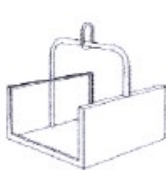
CAMAC MILLENNIUM-700 CABLE HOIST



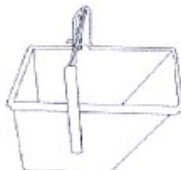
POST FOR WINDOW TELESCOPIC POST



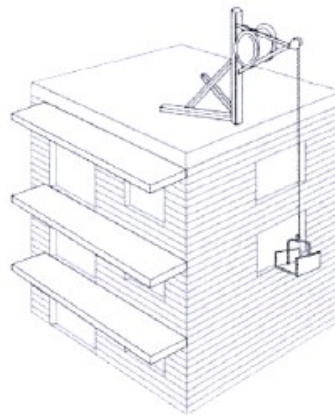
A-FRAME



PALLET



MUD TUB



Technical Specifications

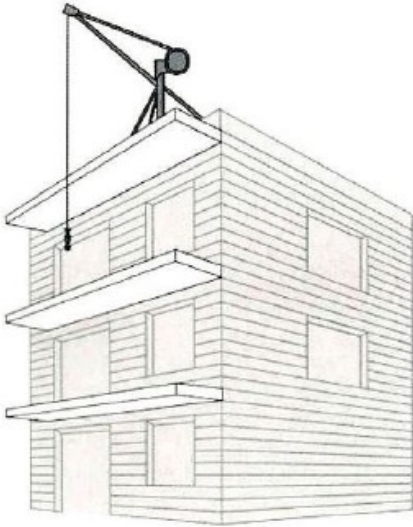
Lifting power	700/660*	lbs.
Lifting speed	80	ft/min.
Cable length	100	ft.
Cable diameter	0.2	inches
Cable breaking strength	4350	lbs.
Motor power	2	h.p.
Tension (single phase)	110/220	V.
Hand control power	48	V.
Turning radius	37/45*	inches
Turning angle	200	°
Weight	132	lbs.
Average dimensions: Width	15.7	inches
Length	41.7	inches
Height	25.2	inches

* With arm extended



Distributed by:
American Platform and Scaffolding Inc
823 Fairview Avenue
Linthicum, Maryland 21090
1-800-636-8620

CAMAC MILLENNIUM CRANE 700 - 1100



MUD TUB



PALLET

Technical Specifications

		700 CRANE	1100 CRANE
Lifting power	lbs.	700	1100
Lifting speed	ft/min.	72	72
Cable length	ft.	100/200	100/200
Cable diameter	inches	0.2	0.24
Cable breaking strength	lbs.	4350	5900
Motor power	h.p.	2.2	3.5
Tension	V.	110/220	220 T
Hand control power	V.	48	48
Turning radius	inches	45	45
Turning angle	°	360	360
Weight	lbs.	227	242
Average dimensions: Width	inches	24.8	24.8
Length	inches	78.7	78.7
Height	inches	23.6	23.6



Distributed By:
American Platform and Scaffolding Inc
823 Fairview Avenue
Linthicum, Maryland 21090
1-800-636-8620